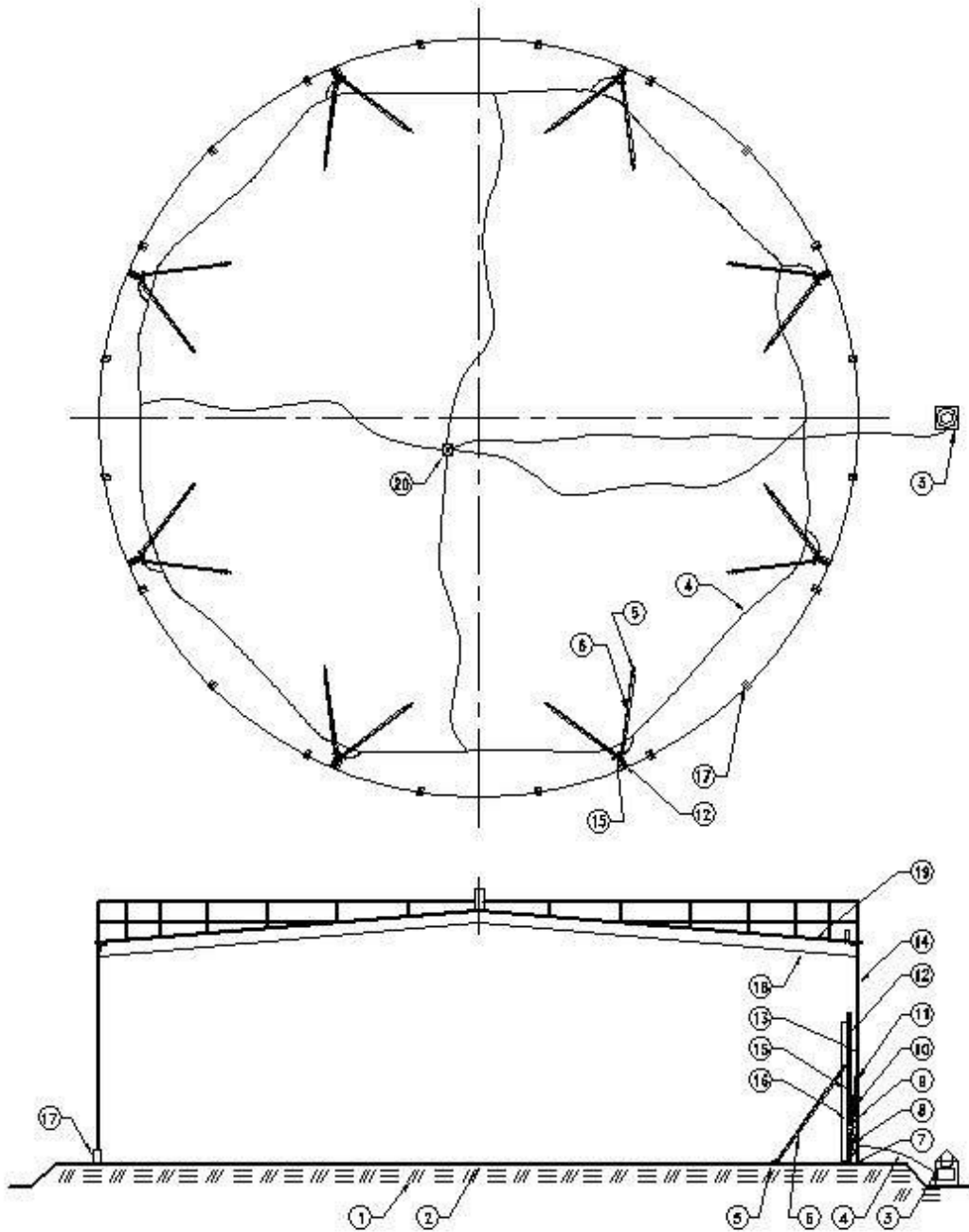

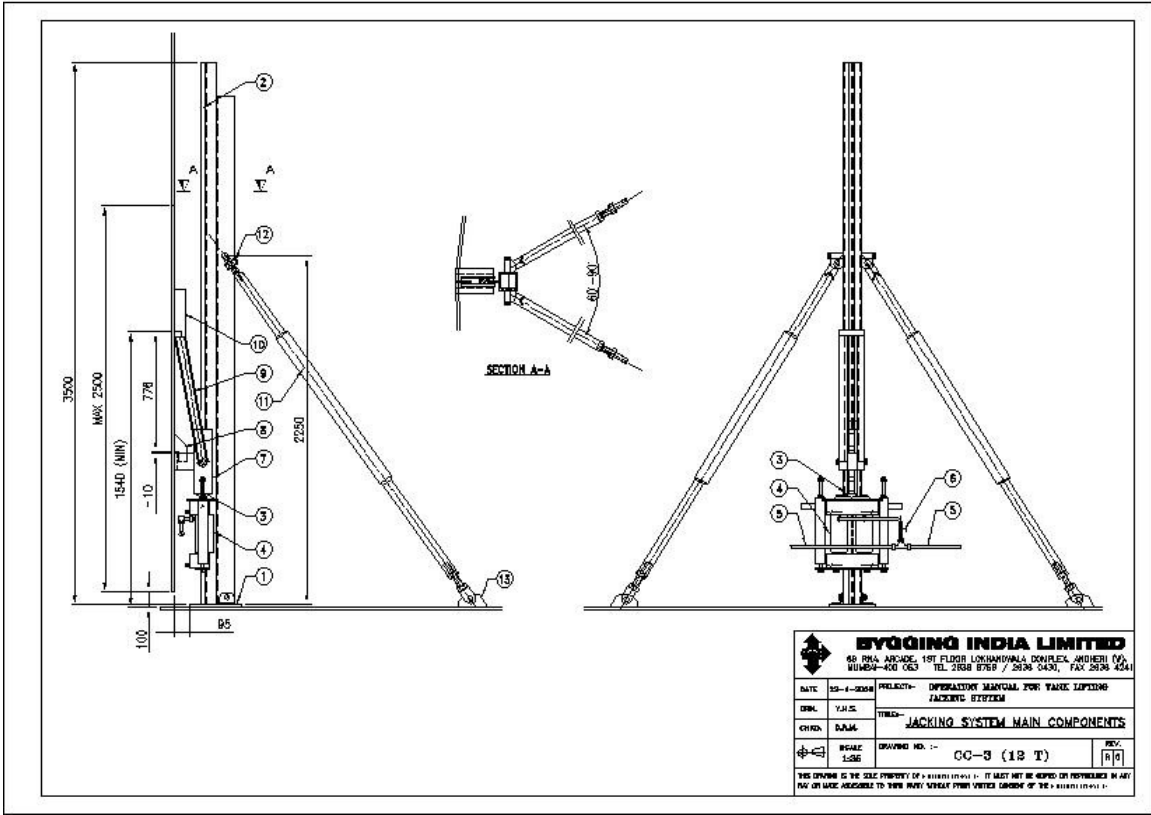


ANNEXE 6 - VERINAGE DES TANKS



 SYDHAMA INDIA LIMITED 80 PEARL ARCADE, 1ST FLOOR, LIC-HANDEWALA COMPLEX, ANANDAPUR (V), MELAKKAL-605 003 TEL: 3236 8785 / 3236 0430, FAX: 3453 4341			
DATE	02-1-2008	PROJECT	OPERATION MANUAL FOR TANK LIFTING JACKING SYSTEM
DRN.	VALS.	TYPE	GENERAL LAYOUT OF JACKING EQUIPMENT
DESIGN	P.M.		
SCALE	AS SHOWN	NO.	00-2 (18 T)
REV.	01	DATE	10/01/08

THIS DRAWING IS THE SOLE PROPERTY OF SYDHAMA INDIA. THE DRAWING SHOULD NOT BE USED FOR ANY PROJECT OTHER THAN FOR WHICH IT IS ISSUED BY SYDHAMA INDIA. THE INFORMATION HEREON OR THE DRAWING MAY NOT BE LOANED OR REPRODUCED WITHOUT WRITTEN PERMISSION.



BYGGING INDIA LIMITED			
68 PRA ARCADE, 1ST FLOOR, LOKHANWALA COMPLEX, ANDHERI (W), MUMBAI-400 063 TEL: 2638 8788 / 2638 0430, FAX: 2638 4241			
DATE:	22-1-2008	PROJECT:	OPERATORY MANUAL FOR JACK LIFTING JACKING SYSTEM
DRW:	V.H.S.	TITLE:	JACKING SYSTEM MAIN COMPONENTS
CHKD:	D.N.M.	DESIGN NO.:	CC-3 (18 T)
SCALE:	1:50	REV:	1/1
<small>THIS DRAWING IS THE SOLE PROPERTY OF BYGGING INDIA LIMITED. IT MUST NOT BE REPRODUCED OR REFERRED IN ANY WAY OR MADE AVAILABLE TO THIRD PARTY WITHOUT WRITTEN CONSENT OF BYGGING INDIA LIMITED.</small>			